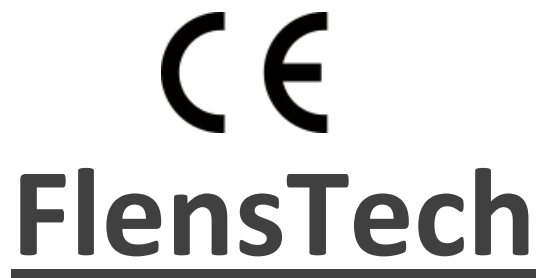


# FlensTech

## Supplement for operation with SpotTEC for Operating instructions Airflow Monitoring System F830415 & F830421



This document is a supplement to the operating instructions for the FlensTech airflow monitoring system and is only valid together with it.



## **EU Declaration of Conformity**

We hereby declare that the design and construction of the following product complies with the basic guidelines on health and safety requirements resulting from the EU Directive for Machinery 2006/42/EC.

**Manufacturer:**

FlensTech GmbH  
Business Park 3  
D-24983 Handewitt  
Phone: +49(0)175-3751 062

**Harmonised standards applied:**

ISO 12100:2011-03 (Risk assessment and risk reduction)

**Details of the person responsible:**

Name: Hans Christian Madsen  
Position: Managing Director

---

Place, date

Signature

## Overview

1	Description .....	2
2	First commissioning.....	3
2.1	Electrical connection diagram .....	3
3	Accessories .....	4
4	Change Log .....	5

## 1 Description

The FlensTech airflow monitoring system serves as a central distribution unit for signal delivery for monitoring and control devices. For this purpose, defined devices are connected to a central terminal block according to a predefined scheme. All signals are available to a higher-level PLC for optional processing.

The use is limited to industrial environments as well as technical laboratories.

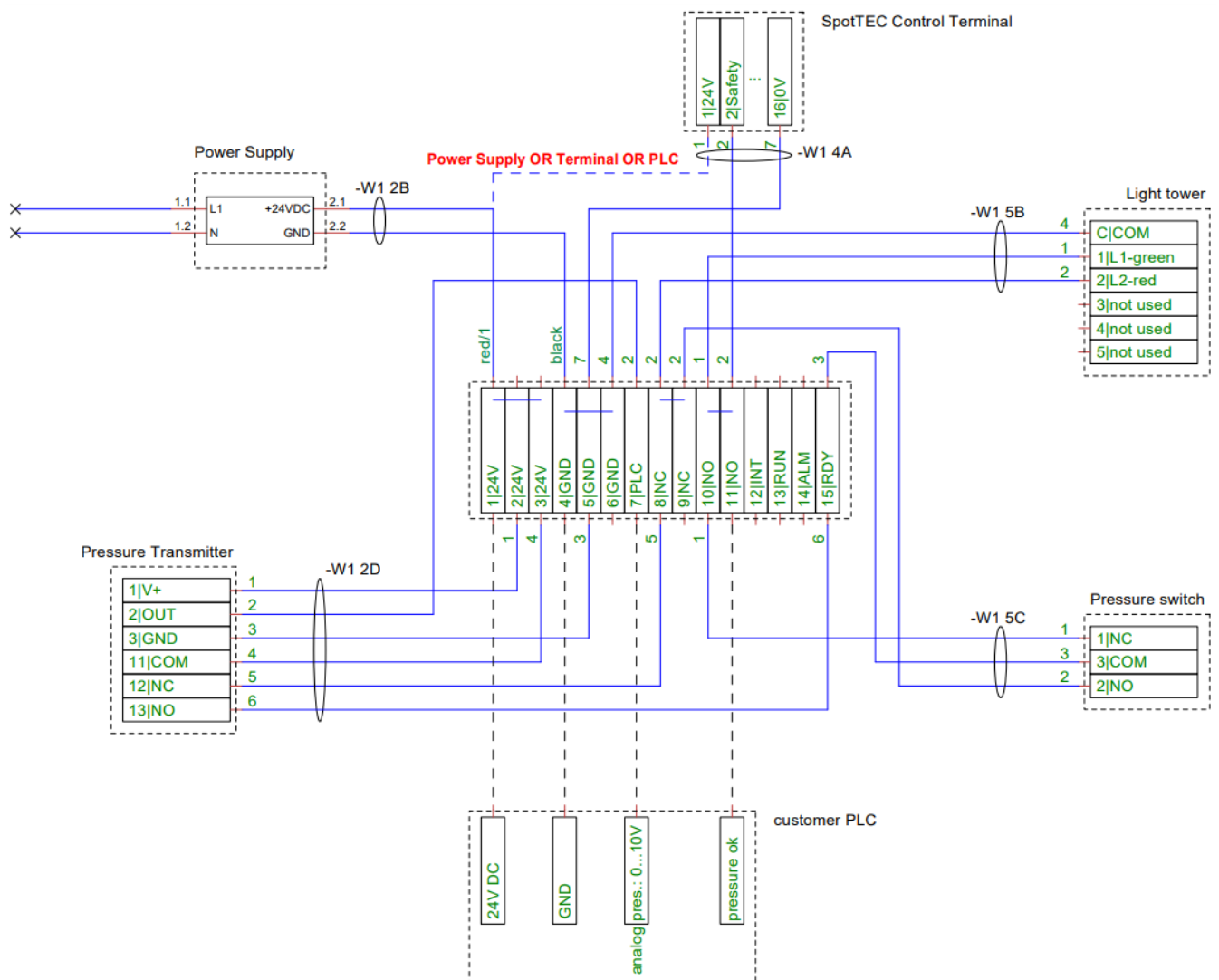
The F830415 version is designed for use with Tantec PLX devices. With version F830421, stand-alone operation without PLX device or PLC is possible.

This document describes the integration of tantec SpotTEC generators into version F830421.

## 2 First commissioning

1. Connect the SpotTEC generator to the control box via its control terminal as shown in the diagram below.
2. Check that either only the power supply in the airflow monitoring box OR the SpotTEC generator for the power supply is connected. We recommend using the generator for the supply.

### 2.1 Electrical connection diagram



## 3 Accessories



Pos	Designation	Art.-No.
1	Cable for SpotTEC, 5m	F830420
2	Control Connector for SpotTEC	711164

## 4 Change Log

Versionsnr.	Changes to the predecessor
1.00	First version without predecessor