

## Suction System for PlasmaTEC-X

Clean Air and Corrosion protection. Extraction at the source.

### At a glance:

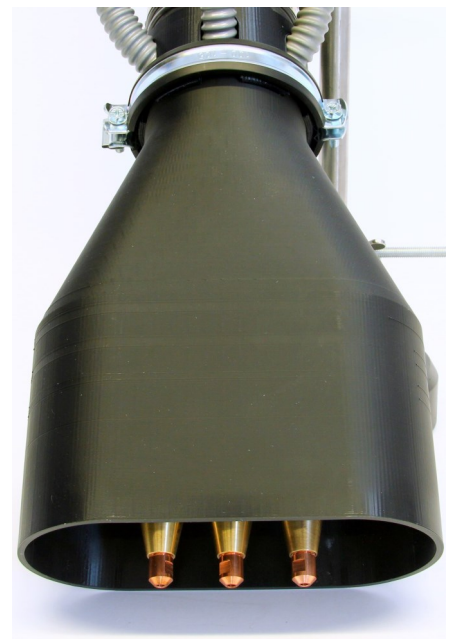
- *Compact design*
- *Easy to install and maintain*
- *Robot compability*
- *Easy setting of suction volume*
- *Cost efficient—no waste of air*
- *Suitable for ozone and Nox*
- *Heat-resistant and non-flamable*
- *Option: integrated differential pressure transmitter*
- *Efficient protection of machines, products and people*
- *Customised on request*

Concerned about Nox and Ozone emissions when using atmospheric Plasma for activation and cleaning ?

The FlensTech Extraction System for plasma nozzles has been developed in cooperation with Tantec customers using PlasmaTEC-X. The majority of these customers are looking for compact, safe and cost-efficient solutions to the extraction of harmful and corrosive gases.

Compact because the plasma nozzles are often placed inside machines with limited space for exhaustion.

Efficient due to the unique extraction only a few centimeters from the actual source.



The airflow can be measured with use of an integrated difference pressure sensor. Safe process monitoring with external PLC possible. Further the main parts are 3D-printed in a heat-resistant and non-flamable plastic material.

Air consumption is as low as 200-400 m<sup>3</sup>/hour depending on speed and shape of your substrate. No waste of air and energy and thus cost-effective. The optimal suction volume is easily set by following the instructions within the extensive users manual.

The Tantec plasma suction system is designed for robot integration.

Customised shapes and configurations on request.



#### Head office:

Tantec A/S  
Industrivej 6  
DK-6640 Lunderskov  
(+45) 7558 5822

#### Mail:

sales@tantec.com

#### Web:

www.tantec.com

**Mounting bracket**  
prepared for popular robots

**Interchangeable connector**  
DN63 - DN90 - DN100

**Quick nozzle change**  
short maintenance times

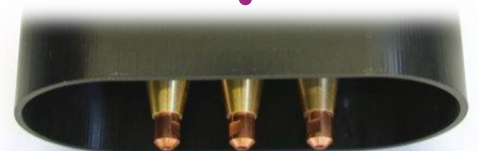
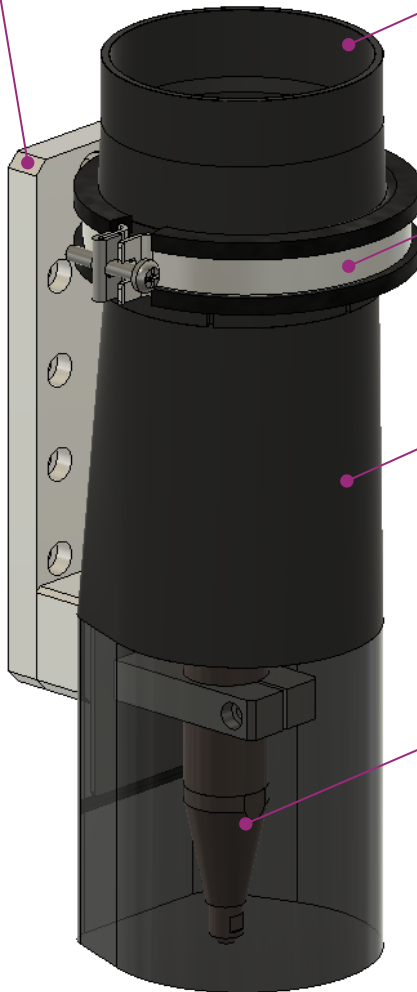
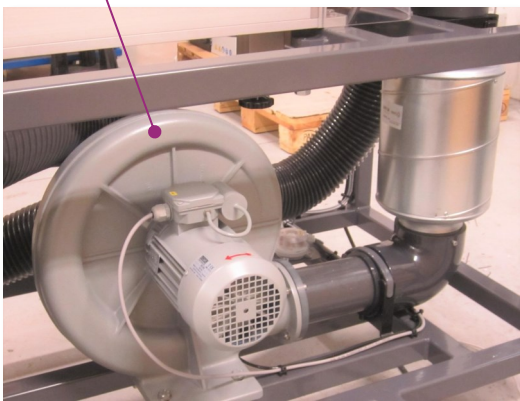
**Flame-retardant plastic** according to UL-94

**Scalable**  
up to three plasma nozzles

**Option: Pressure transmitter**  
with LCD display and output of measured values



**Option: ozone proof ventilators**



Dimensions	
Standard-1	Standard-3
335 x 100 x 135 mm	335 x 210 x 135 mm
< 1kg	< 2kg